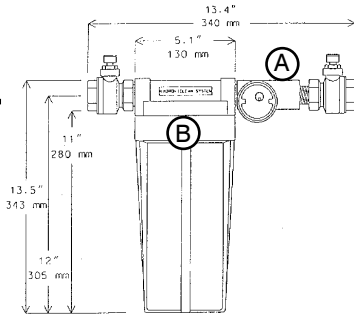


Hydronic System



H-10

Complete side stream filtering system

An engineered system for removing suspended solids from heating water, glycol, brine and other closed recirculating hydronic systems.

- Min. wear on pump seals
- Reduce wear on control valve seats
- Removes suspended solids/pipe scale

Parts List

Hydroniclean Parts - (A)

Flow Indicators

- HPB-70-FB** Flow ball
- HPB-70-FI** Flow indicators
- HPB-70-IG** EPDM 1/8" inner gasket
- HPB-70-OG** 1/16" outer gasket
- HPB-70-RL** Tempered glass lens
- HPB-70-SOCKET** Tightening socket

Hydroniclean Parts - (B)

Hi Temp Plastic Housing

- H-10-HOUSING** Housing only
- H-10-CAP** Replacement cap
- H-10-SUMP** Replacement sump
- H-10-O-RING** Silicone "O"-Ring

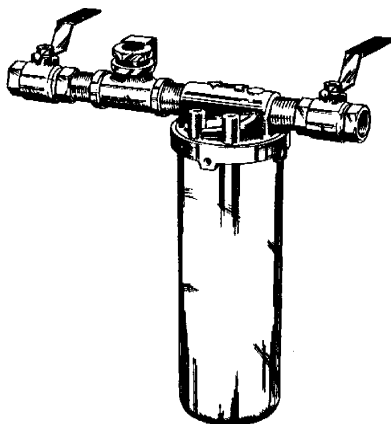
Clean Water In Your Boilers Improves Energy Consumption Guaranteed!

Can be used for whole home water filtration

Tools

H-10-WRENCH Canister Wrench

Hot Water Filtration



RHB

Features:

- Heavy Duty 304 stainless steel housing with brass head rated to 300 psi maximum operating pressure. (60 psi maximum in SS1HA-HWS system).
- Accepts a wide variety of cartridges to solve a variety of water problems.
- High temperature rating to 93°C
- "Sure Seal" ring nut connector with tightening tool.
- Manufactured from FDA CFR-21 compliant material
- Flow meter visually indicates water flow (15-30 lpm)
- 3/4" nickel plated brass ball valves

Benefits:

- For all hot water applications
- Suitable for drinking and cooking water and all food applications
- Quick and easy isolation of filtration unit for fast cartridge changes.

RHB-786

Canister gaskets available separately

Specifications

| Part# | Inlet Outlet Size | Dimensions | | | Approx. Weight | Max. Flow Rate | Max. Water Temp. | Max. Water Pressure | Std. Rplc. Ctg. No. | #of Crtg. Required | Flow Indic. Range |
|------------------|-------------------|---------------------|-----------------|---------------------|---------------------|-----------------|------------------|----------------------|---------------------|--------------------|--------------------------|
| | | Height | Length | Max. Dia. | | | | | | | |
| FSS34-HWS | 3/4" FNPT | 327 mm (12 7/8") | 305 mm (12") | 106 mm (4 3/16") | 4.6 kg. (10 lbs) | 23 lpm 6 gpm | 93°C (200°F) | 4.14 bar (60 psi) | not incl. | one (1) | 15-30 lpm (4 - 8 gpm) |

Filters

Filter Cartridge - Hytrex

9-7/8" Length Cartridges, Pottable, Polypropylene Microfiber Matrix Filters

| PART# | MICRON |
|-------------------|--------|
| GX50-9-7/8 | 50 |
| GX30-9-7/8 | 30 |
| GX20-9-7/8 | 20 |
| GX10-9-7/8 | 10 |
| GX05-9-7/8 | 5 |
| GX03-9-7/8 | 3 |
| GX01-9-7/8 | 1 |

Not Recommended for Hot Water For Pottable Water Use.

Filter Cartridge - Hytrex

4-7/8" Length Cartridges, Pottable, Polypropylene Microfiber Matrix Filters

| PART# | MICRON |
|-------------------|--------|
| GX50-4-7/8 | 50 |
| GX30-4-7/8 | 30 |
| GX20-4-7/8 | 20 |
| GX10-4-7/8 | 10 |
| GX05-4-7/8 | 5 |
| GX03-4-7/8 | 3 |
| GX01-4-7/8 | 1 |

Not Recommended for Hot Water For Pottable Water Use.

Standard Boiler Filters

Unbleached Cotton, string wound, economy 10"

| PART# | MICRONS |
|-----------------|---------|
| CU5R97T | 5 |
| CU10R97T | 10 |
| CU20R97T | 20 |
| CU30R97T | 30 |
| CU50R97T | 50 |

MOST POPULAR!

