

Damper & Valve Motors (Modutrol)

Honeywell

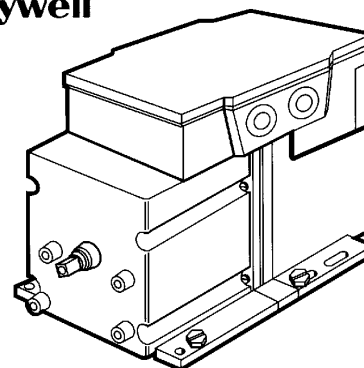
M9184/M9185 MODUTROL IV MOTORS

M9184 - Reversing, proportional motors used to operate dampers and valves
M9185 - Reversing, proportional, spring-return motors used to operate dampers and valves
 Can be adapted to electronic control with interface module
M9185 models contain integral helical spring to return motor shaft to normal position on power interruption (Full Closed)
 Internal actuator motor and circuitry operate from 24 Vac
 Double ended, 3/8" (10mm) square crankshaft

Temperature Rating: Ambient -40°F to +150°F (-40° to +66°C) at 25% duty cycle

Electrical	One Contact ^a	120Vac	240Vac
	Full Load	7.2A	3.6A
	Locked Rotor	43.2A	21.6A

^a 40Va pilot duty, 120/240 Vac on opposite contact



PART#	POWER SUPPLY	POWER		TORQUE		TIMING	STROKE	INCLUDES
		W	VA	LB-IN.	N-m	DEGREES		
SPRING RETURN M9185D4008	24Vac	23	24	60	6.8	30 60 30	90° 160° 90°	220738A adaptor bracket sec to match height of Mod III motors; 2 cams 1 SPDT auxiliary switch sec 2 cams
	24Vac	23	24	60	6.8	60	160°	
NON-SPRING RETURN M9184D4009	24Vac	18	19	150	17.0	15 to 30 30 to 60	90° 160°	220738A adaptor bracket sec to match height of Mod III motors; 2 cams Shorter timing applies to 90 degree stroke
	24Vac	18	19	150	17.0	15 to 30 30 to 60	90° 160°	

Accessories:
272518 Ball Joint for 5/16" push rod

Motors & Actuators (Special Purpose)

Honeywell

M436 DAMPER MOTORS

Spring-return motors for two position back draft, outdoor air changover, zone, or minimum position damper control. Operate outdoor air dampers for combustion or
 ate minimum position da
 motors or to provide a
 adjustable auxiliary swi
 motor stalls

Temperature Rating: Ambient 32°F to +125°F (0° to +52°C)

Electrical	One Contact ^a	120Vac	240Vac
	Full Load	7.2A	3.6A
	Locked Rotor	43.2A	21.6A

^a 40Va pilot duty, 120/240 Vac



PART#	POWER SUPPLY	POWER		TORQUE		TIMING	STROKE	DAMPER BLADE AREA
		W	VA	LB-IN.	N-m	OPENING	DEGREES	
SPRING RETURN M436A1116	120Vac	23	24	20	2.3	30 sec	75	13 sq. ft. (1.2 m ²)

Use with two wire thermostats or other spdt controllers. With thermal breaker for overload protection during the lifting stroke or if motor stalls.

Q605D Linkage

Honeywell

Connects Modutrol Motor to Standard Dampers to Provide Control of Duct Airflow

- Adjustable to any degree of damper opening
- Allows mounting of motor either externally or internally on duct
- Includes four ball joints, motor crank arm, three 1/2" damper arms and mounting bracket

Part#
Q605D1069

